

Input Processor  
(16 inputs)

Output Processor  
(16 outputs)



# Input & Output Processor

## Control up to 16 points with one board

The Input Processor (IP) provides the capability of supporting 16 general purpose inputs such as motion detectors, door contacts, or panic alarms. It also has two general purpose outputs. The Output Processor (OP) provides the capability of supporting 16 general purpose outputs. The outputs can be used for a variety of purposes such as lighting, heating/cooling, and door and elevator control.

Inputs can be individually set to be normally-open or normally-closed, can be configured as either supervised or unsupervised, and can be masked. Each input can also be set for sensitivity ranges, timing parameters, and end-of-line resistance values. Outputs are Form-C (NO/NC) relays and can be configured for fail-safe or fail-secure operation. Relays support "On", "Off",

"Pulse" and "Repeat Pulse" commands. Relay operation and alarm masking may be initiated by operator action, time schedule, or triggered by an event. The IP and OP use a high speed, two wire, multi-drop RS-485 interface to communicate with the controller (ADC, IDC, or IDC-1).

Events generated by the IP or OP can be used to trigger actions locally or on other sub-controllers attached to the same controller. Status change, command, and configuration information is exchanged with the controller. The controller is managed by a host computer using industry leading AccessNsite® software, but runs independently when not communicating with the host.

### Features

- Most widely accepted access control hardware due to its reliability and open architecture
- AES 128 bit data encryption
- Compatible across Quintron's family of Distributed Controllers
- Dedicated tamper and power fault monitoring
- 12v to 24v DC operation
- Configurable input/output parameters
- Diagnostic LEDs
- Field upgradable firmware
- UL listed 294/1076
- 1-year limited warranty

powered by





## IP Specifications

### Primary Power

- 12 to 24Vdc +/- 10%,  
350 mA max

### Relays

- 2 Relays: Form-C,  
5A @ 28 Vdc

### Inputs

- 16 supervised
- 2 dedicated: Tamper  
& power fault

## OP Specifications

### Primary Power

- 12 to 24Vdc +/- 10%,  
1100 mA max

### Relays

- 16 Relays: Form-C,  
5A @ 28 Vdc

### Inputs

- 2 dedicated: Tamper  
& power fault

## Common Specifications

### Dimensions

- 6.0" W x 8.0" L x 1.0" H

### Temperature

- 0°C to +70°C operating
- -55°C to +85°C storage

### Humidity

- 0 to 95% RHNC

### Communication

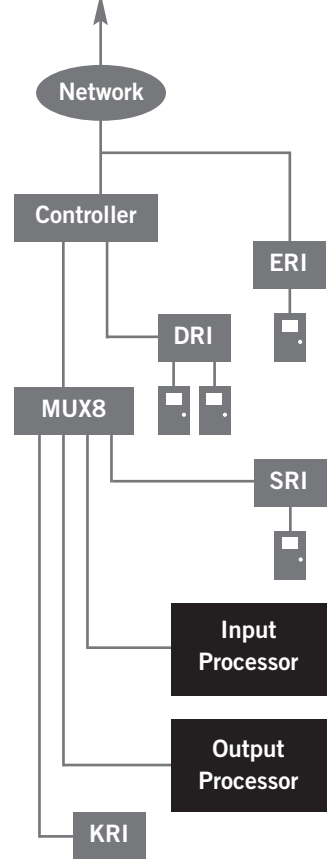
- RS-485, 2-wire, 4000'

### Certifications

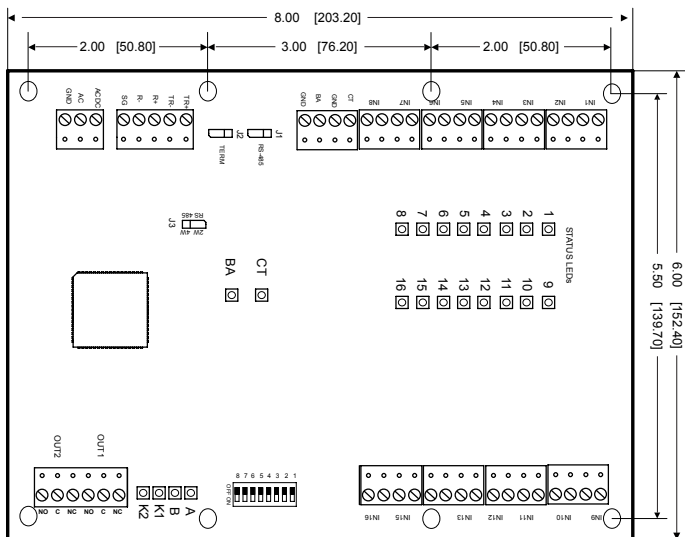
- UL294, UL1076
- CE
- RoHS



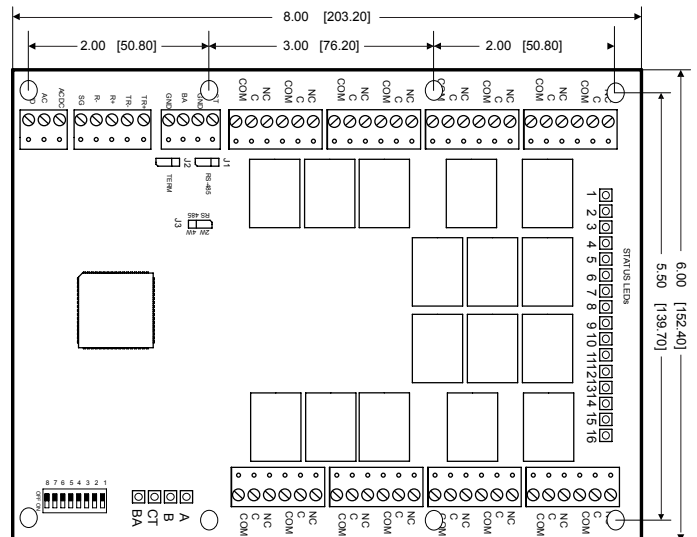
powered by



## Input Processor



## Output Processor



\* For a list of pre-configured enclosures, see Quintron's "Enclosures" brochure.