

Dual Reader Interface  
(2 readers, 8 inputs, 6 outputs)

Single Reader Interface  
(1 reader, 2 inputs, 2 outputs)

# Single & Dual Reader Interface

## Manage one or two doors

The Single Reader Interface (SRI) and Dual Reader Interface (DRI) are low cost, high performance sub-controllers that provide the I/O necessary to control one or two doors, respectively. Support for readers, keypads, and readers with integrated keypads that use Wiegand, clock-and-data, or RS-485 signaling is provided.

Inputs and outputs can be assigned to door-related functions or as general purpose I/O. Inputs can be unsupervised or supervised using configurable end-of-line resistance values. Outputs are implemented using Form-C (NO/NC) relays and can be used for fail-safe or fail-secure lock operation.

The SRI and DRI use a high speed, two-wire, multi-drop RS-485 interface to communicate with the controller (ADC, IDC, or IDC-1) which resides on an Ethernet network. Events generated by the SRI or DRI can be used to trigger actions locally or on other sub-controllers attached to the same controller.

Access request, status change, command, and configuration information is exchanged with the controller. The controller is managed by a host computer using industry-leading AccessNsite® software, but runs independently when not communicating with the host.

## Features

- Supports wide array of card and reader technologies including Smart card, FIPS 201, proximity, biometric, and magnetic stripe
- Most widely accepted access control hardware due to its reliability and open architecture
- Compatible across Quintron's family of Distributed Controllers
- SRI has small footprint
- Supports up to 8 programmable card formats
- 12v to 24v DC operation
- Grade A input supervision
- AES 128 bit encryption
- Tamper input
- Field upgradable firmware
- UL listed 294/1076
- 1 year limited warranty





## SRI Specifications

### Primary Power

- 12 to 24Vdc +/- 10%, 150mA max (plus reader current)

### Readers

- 1 Port

### Reader Power

- Input voltage passed through

### Relays

- 1 Form-C, 5A @ 30 Vdc
- 1 Form-C, 1A @ 30 Vdc

### Inputs

- 2 supervised
- 1 dedicated for tamper

### Dimensions

- 4.25" W x 2.75" L x 1.0" H

### Operating Temperature

- -40°C to + 75°C

### Humidity

- 10% to 95% RHNC

## DRI Specifications

### Primary Power

- 12 to 24Vdc +/- 10%, 550mA max (plus reader current)

### Readers

- 2 Ports

### Reader Power

- Regulated 12 Vdc or passed through, 125mA max per port

### Relays

- 6 Relays, Form-C, 5A @ 28 Vdc

### Inputs

- 8 supervised
- 2 dedicated: tamper & power fault

### Dimensions

- 6.0" W x 8.0" L x 1.0" H

### Operating Temperature

- 0°C to + 70°C

### Humidity

- 0% to 95% RHNC

## Common Specifications

### Storage Temperature

- -55°C to +85°C

### Reader Interface

- One or two wire bi-color LED support
- Buzzer (Only with "one-wire" LED)
- TTL compatible inputs or 2-wire RS-485

### Communication

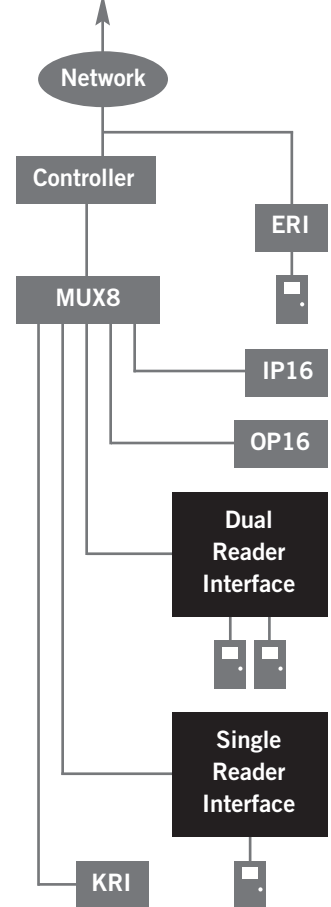
- RS-485, 2 wire, 4000'

### Certifications

- UL294, UL1076
- CE
- RoHS



powered by



## SRI

